

Vision sensors SBSA, SBSX



Key features

Vision sensors SBSA, SBSX

The vision sensors SBSA and SBSX are an easy introduction into vision systems and can be used to perform 1D and 2D code reading, optical character recognition (OCR), quality inspection, robotic guidance, and more. Their impressive features include intuitive software for easy parameterization, even with no expert knowledge, and powerful, fast detection algorithms. In the model variants SBSA, the lighting and lens are integrated into the compact IP67 housing, designed for use in harsh industrial environments. The model variants SBSX provide a C mount for attaching a lens to meet the application requirements. External lights SBAL can be connected directly to the vision sensor.

- All-in-one product with integrated lens and lighting (SBSA), I/O, and communication
- Simple user interface, just 3 or 4 steps to a solution
- Powerful and fast software tools
- Resolution up to 5 megapixels
- C-mount version for utmost flexibility
- Calibration of pixels to global coordinates
- Extensive image filters: Gauss, erosion, dilation, median, mean value, amplitude, standard deviation, edge filters, multiplication, inversion
- External lighting SBAL can be connected directly: plug and work

Code reader SBSA-B

→ Page 8

The range of code readers SBSA-B is designed specifically for reading 1D bar codes, 2D matrix codes, and optical character recognition (OCR). The powerful algorithms have no problem with hard-to-read, directly marked codes (e.g. dot-peened or laser-machined onto metal). The code readers are also equipped with position tracking and other check algorithms. The high resolution of up to 5 megapixels means that even small codes can be read.

- Reading 1D bar codes: EAN, code 39, code 128, etc.
- Reading 2D matrix codes: DMC ECC200, QR code, PDF 417
- Reading directly marked codes and OCR

Object sensor SBSA-Q, SBSX-Q

→ Page 11

With the range of object sensors SBSA-Q and SBSX-Q, checking product quality is child's play. It is very easy to inspect an item for alignment/orientation and check it is complete/present, for example. If the parts are not being fed in the correct position, a powerful tracking algorithm is available which flexibly detects the position and 360° rotary orientation of the parts and automatically aligns the detection tools.

- Easy quality inspection
- 360° position tracking
- Fast and powerful detection algorithms
- BLOB function for position sensing, quality inspection or for counting multiple parts in the image
- Caliper function for measuring products (distance, edge position)

Robotic sensor SBSA-R, SBSX-R

→ Page 14

The robotic sensors SBSA-R and SBSX-R provide a flexible and powerful solution for today's robotic vision applications such as bin-picking, robot-guided positioning, and mobile robotics. Two model variants of the sensor provide both common image-guided robotics applications and extended scopes of functionality for identification, enhanced calibration methods, and localization in 3D.

- Calibration methods tailored to the application
- 3D object poses delivered in no time
- Simplified installation through 3D grip point transformation

Universal sensor SBSA-U, SBSX-U

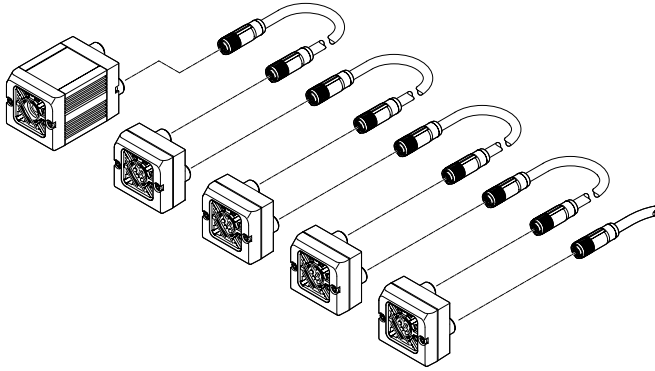
→ Page 17

The universal sensors SBSA-U and SBSX-U have all the detectors from the code reader and object sensor range, and in the case of the professional variant (-PF) the robotic sensor range as well.

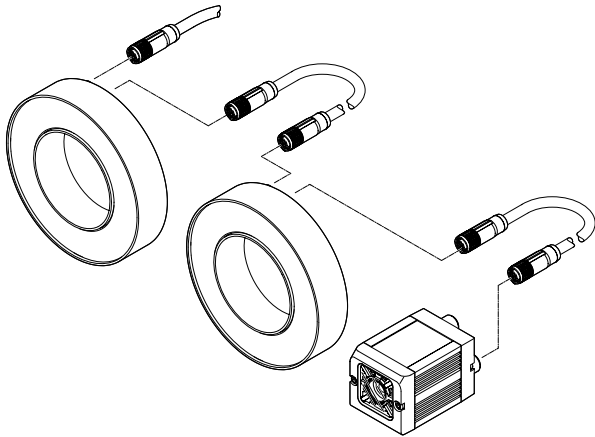
- OCR (optical character reader)
- BLOB
- Caliper
- Calibration

Key features

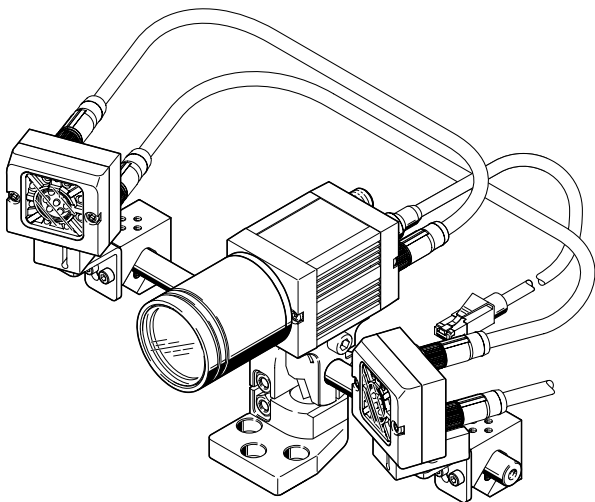
Connection of external surface lights SBAL-C6-A to the vision sensor SBS.
Up to four area lights can be connected directly to the SBS.



Connection of external ring lights SBAL-C6-R to the vision sensor SBS.
Up to two ring lights can be connected directly to the SBS.

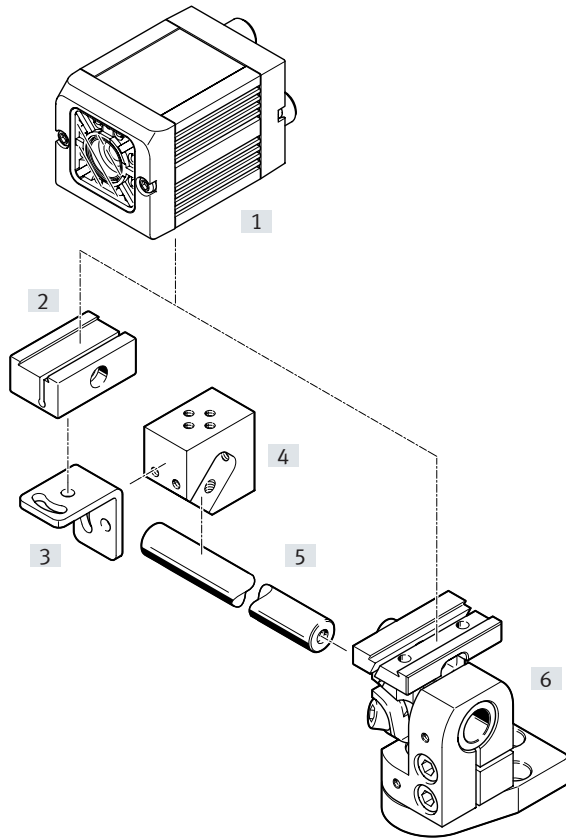


Connection of external lights SBAL in combination with mounting components SBAM. The lights and vision sensor are connected to one another such that, if they are adjusted, their position relative to one another remains the same.

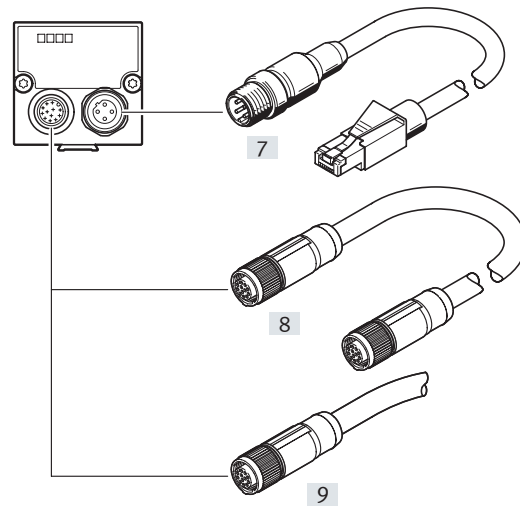


Peripherals overview

Mechanical connection options



Electrical connection options

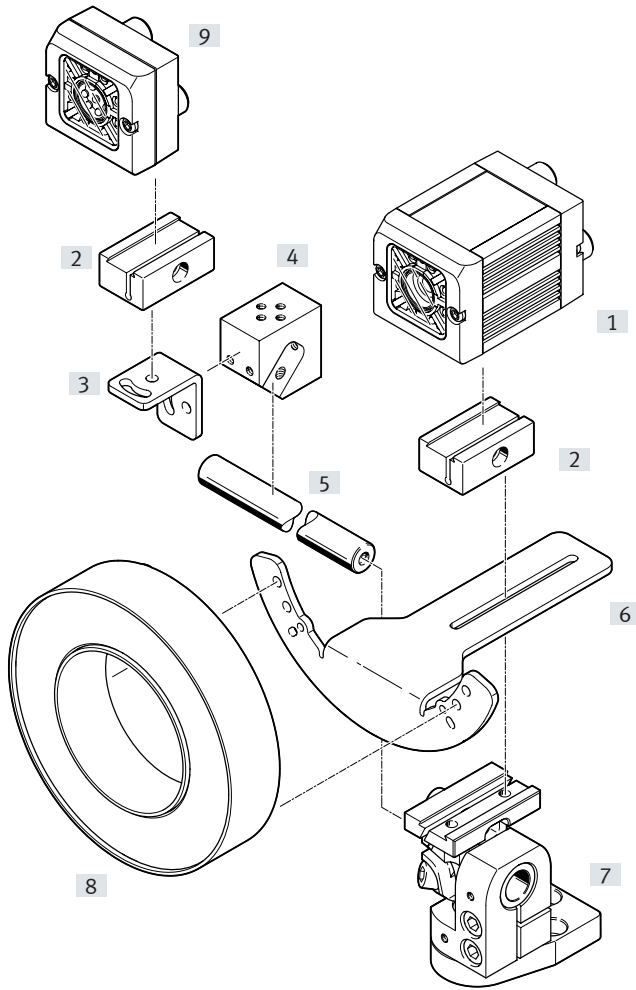


Mounting components and connecting cables

		Brief description	→ Page
[1]	Vision sensor SBS-...	Vision sensor SBS	8, 11, 14, 17
[2]	Mounting SBAM-C6-CP	Clamp fitting with dovetail slot	25
[3]	Mounting bracket SBAM-C6-A	Mounting bracket 90°. Adjustment option with 2 levels	26
[4]	Mounting SBAM-C6-CP-AF	Mounting block for 12 mm mounting rod	27
[5]	Mounting SBAM-C6-MR-...	Mounting rod for clamp mounting of sensors, cameras and lighting	27
[6]	Swivel mounting SBAM-C6-A2-AF	Clamp fitting with dovetail slot. Can be swivelled and rotated around 2 axes. With drill-hole and clamp for 12 mm mounting rod SBAM-C6-MR-...	25
[7]	Connecting cable NEBS-D12G4-ES-...-R3G4-ET	Ethernet cable (M12, 4-pin on RJ45); length 1 m, 3 m, 5 m, or 10 m	32
[8]	Connecting cable NEBS-M12G12-KS-...-SM12G12	Cable for connecting the external lighting SBAL (M12, 12-pin on M12, 12-pin); length 0.5 m or 2 m	32
[9]	Connecting cable NEBS-M12G12-KS-...-LE12	Cable for power supply and digital I/Os (M12, 12-pin on open end); length 5 m or 10 m	32

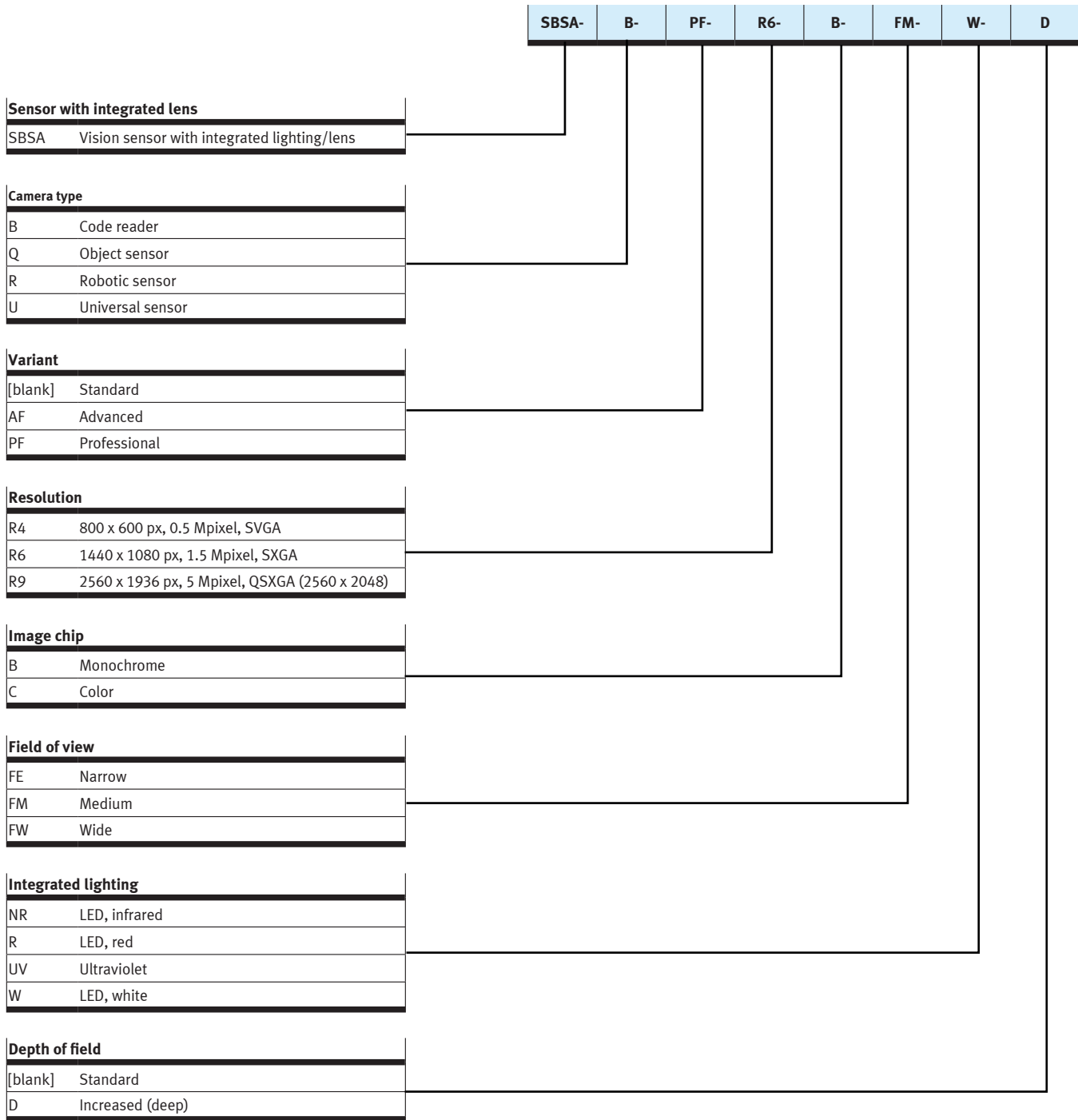
Peripherals overview

Mechanical connection options with external lighting

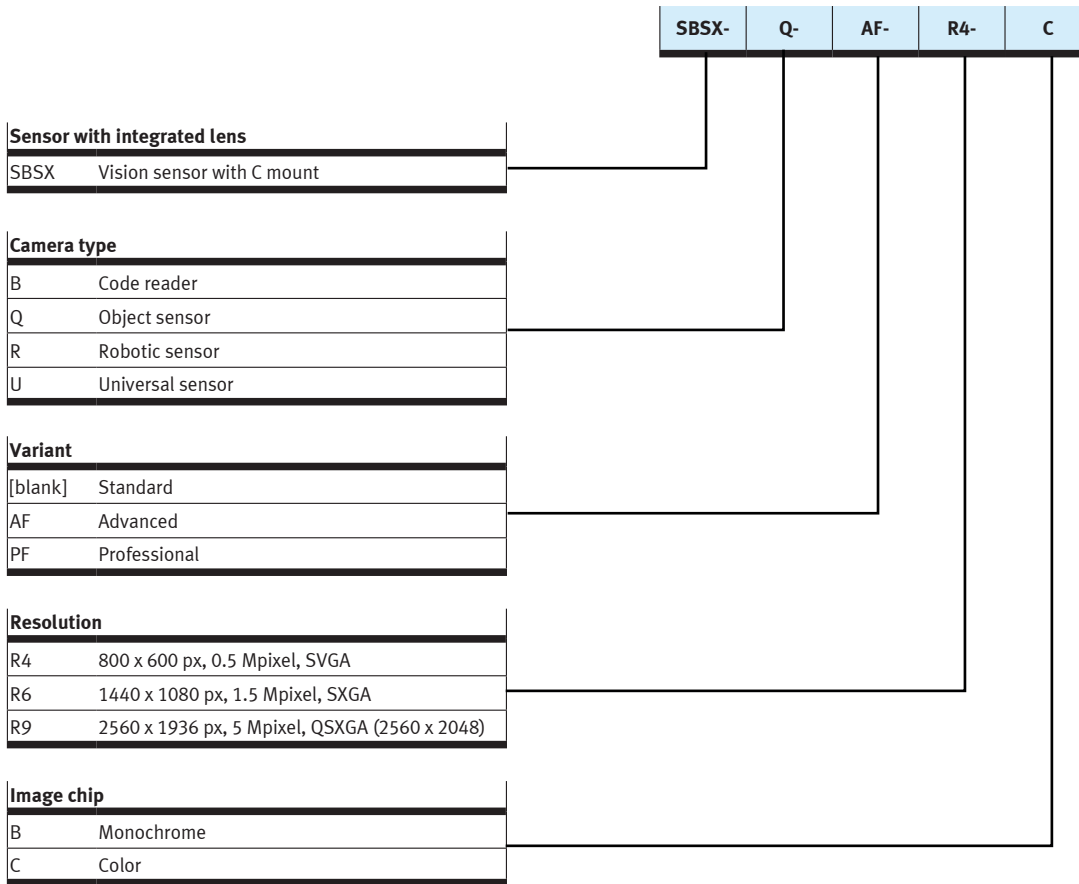


Mounting attachments and accessories		Brief description	→ Page
[1]	Vision sensor SBS-...	Vision sensor SBS	8, 11, 14, 17
[2]	Mounting SBAM-C6-CP	Clamp fitting with dovetail slot	25
[3]	Mounting bracket SBAM-C6-A	Mounting bracket 90°. Adjustment option with 2 levels	26
[4]	Mounting SBAM-C6-CP-AF	Mounting block for 12 mm mounting rod	27
[5]	Mounting SBAM-C6-MR-...	Mounting rod for clamp mounting of sensors, cameras and lighting	27
[6]	Retaining bracket SBAM-C7-A	Mounting bracket 90° for ring light SBAL-C6-R-...-D	26
[7]	Swivel mounting SBAM-C6-A2-AF	Clamp fitting with dovetail slot. Can be swivelled and rotated around 2 axes. With drill-hole and clamp for 12 mm mounting rod SBAM-C6-MR-...	25
[8]	Ring light SBAL-C6-R-...-D	Type of light: LED, diffuse. Colors white, red and infrared	23
[9]	Surface light SBAL-C6-A-...	Type of light: LED, clear. Colors white, red and infrared	21

Type codes SBSA



Type codes SBSX



Technical data – Code reader SBSA-B

- Integrated lens and lighting
- 1D barcodes
- 2D data matrix codes
- Optical character recognition (OCR)
- Compliant with ISO and AIM standards
- Pattern comparison, brightness, gray level, contrast



General technical data	
Type	
Sensor technology	CMOS, monochrome
Sensor resolution	-R4... 800 x 600 px, 0.5 Mpixel, SVGA -R6... 1440 x 1080 px, 1.5 Mpixel, SXGA
Focus setting	Motorized auto-focus
Lens mounting	Integrated lens
Lighting type	Integrated, 8 LEDs
Frame rate (full image) [fps]	-R4... 75 -R6... 40
Max. number of inspection jobs	Standard variant ... 8 -AF... 255 -PF... 255
Max. number of test detectors per job	Standard variant ... 2 -AF... 255 -PF... 255
Focal length [mm]	-R4...-FM... 9.6 -R6...-FE... 20, -R6...-FM... 12, -R6...-FW... 6.5
Field of view [mm]	-R4...-FM... Min. 7 x 3 -R6...-FE... Min. 18 x 14, -R6...-FM... Min. 10 x 8, -R6...-FW... Min. 6 x 4
Working distance [mm]	-R4...-FM... Min. 12 -R6...-FE... Min. 100, -R6...-FM... Min. 25, -R6...-FW... Min. 10
Function of detectors/characteristics	2/5 Industrial 2/5 Interleaved Codabar Code 128 Code 32 Code 39 Code 93 EAN ECC200 GS1 PDF 417 Pharmacode QR code RSS UPC OCR: reading of fonts (-PF) Results processing, text: checking and calculating with results from detectors (-PF) X/Y position tracking and orientation (-PF) Pattern matching, contour: teach-in and detection of patterns and contours (-PF) Evaluation of contrast (-PF)
Dimensions W x L x H [mm]	45 x 71 x 45 (without connectors)
Product weight [g]	Approx. 200
Information on materials: Housing	Aluminum, plastic, die-cast
Information on materials: Cover	Plastic
Note on materials	RoHS compliant

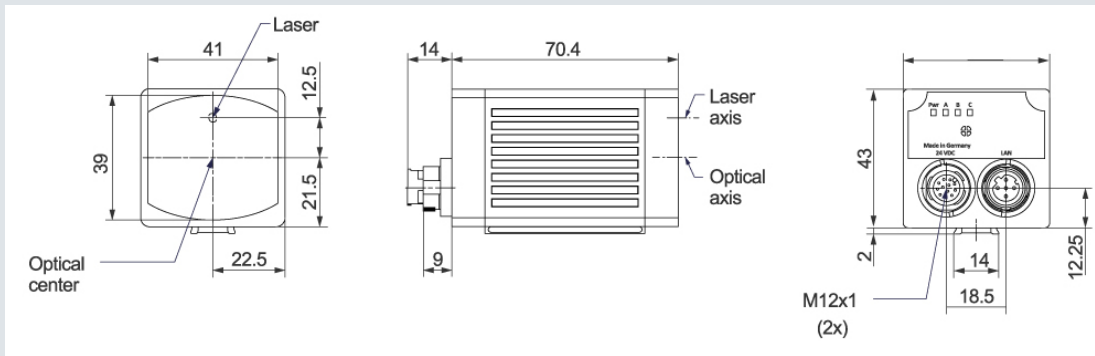
Data sheet – Code reader SBSI-B

Ethernet interface	
Information on Ethernet, connection technology	M12 socket, 4-pin
Ethernet, data transfer speed	100 Mbit/s
Ethernet, supported protocols	TCP/IP, EtherNet/IP, FTP, SMB, PROFINET
Digital inputs, outputs and power supply	
Electrical connection (I/O and power supply), connection technology	Plug, M12, 12-pin
Number of digital inputs	2
Number of digital outputs	2
Number of selectable digital inputs/outputs	Standard variant ... 4 -AF... 6 -PF... 6
Digital inputs	PNP/NPN, high > $U_B - 1$ V, low < 3 V
Digital outputs	PNP/NPN (switchable) 50 mA max. output current per output 100 mA max. (pin 12)
Operating voltage, U_B [V DC]	18 ... 30 (24 nominal), max. ripple < 5 V_{SS}
Power consumption (without I/O)	≤ 300 mA
Operating and environmental conditions	
Ambient temperature [°C]	0 ... +50 ¹⁾
Storage temperature [°C]	-20 ... +60 ¹⁾
Degree of protection	IP67
Vibration resistance	To EN 60068-2-6
Shock resistance	To EN 60068-2-27
CE marking	To EMC Directive 2014/30/EU
Certification	UL RoHS to Directive 2011/65/EU

1) 80% air humidity, non-condensing

Dimensions – Code reader SBSA-B

Dimensions



Lens and lighting	Variant	Resolution [pixels]	Field of view	Integrated lighting	Depth of field	Part number	Type code
Integrated	Standard	800 x 600	Medium	Red	Standard	23424999	SBSA-B-R4-B-FM-R
Integrated	Advanced	800 x 600	Medium	Red	Standard	23424998	SBSA-B-AF-R4-B-FM-R
Integrated	Advanced	800 x 600	Medium	White	Standard	23424997	SBSA-B-AF-R4-B-FM-W
Integrated	Standard	1440 x 1080	Narrow	White	Standard	23425024	SBSA-B-R6-B-FE-W
Integrated	Standard	1440 x 1080	Medium	White	Standard	23425023	SBSA-B-R6-B-FM-W
Integrated	Standard	1440 x 1080	Wide	White	Standard	23425022	SBSA-B-R6-B-FW-W
Integrated	Advanced	1440 x 1080	Narrow	Red	Standard	23425020	SBSA-B-AF-R6-B-FE-R
Integrated	Advanced	1440 x 1080	Narrow	White	Standard	23425017	SBSA-B-AF-R6-B-FE-W
Integrated	Advanced	1440 x 1080	Medium	Red	Standard	23425019	SBSA-B-AF-R6-B-FM-R
Integrated	Advanced	1440 x 1080	Medium	White	Standard	23425016	SBSA-B-AF-R6-B-FM-W
Integrated	Advanced	1440 x 1080	Wide	Infrared	Standard	23425021	SBSA-B-AF-R6-B-FW-NR
Integrated	Advanced	1440 x 1080	Wide	Red	Standard	23425018	SBSA-B-AF-R6-B-FW-R
Integrated	Advanced	1440 x 1080	Wide	White	Standard	23425015	SBSA-B-AF-R6-B-FW-W
Integrated	Professional	1440 x 1080	Medium	White	Increased	23425028	SBSA-B-PF-R6-B-FM-W-D
Integrated	Professional	1440 x 1080	Wide	White	Standard	23425027	SBSA-B-PF-R6-B-FW-W

Technical data – Object sensors SBSA-Q, SBSX-Q

- Presence and completeness checks
- Simple measurement tasks
- Precise determination of X/Y position, orientation, and tracking



General technical data	
Type	
Sensor technology	CMOS -B... monochrome -C... color
Sensor resolution	-R4... 800 x 600 px, 0.5 Mpixel, SVGA -R6... 1440 x 1080 px, 1.5 Mpixel, SXGA -R9... 2560 x 1936 px, 5 Mpixel, QSXGA (2560 x 2048)
Focus setting	Motorized auto-focus
Lens mounting	SBSA... Integrated lens SBSX... C-mount
Lighting type	SBSA... Integrated, 8 LEDs SBSX... External lighting required
Frame rate, mono color [fps]	-R4... 75 50 -R6... 40 20 -R9... 22 8
Max. number of inspection jobs	Standard variant ... 8 -AF... 255
Max. number of test detectors per job	Standard variant ... 32 -AF... 255
Focal length [mm]	SBSA... -R4...-FM... 9.6 -R6...-FE... 20, -R6...-FM... 12, -R6...-FW... 6.5 -R9...-FM... 20 SBSX: dependent on lens
Field of view [mm]	SBSA: -R4...-FM... Min. 7 x 3 -R6...-FE... Min. 18 x 14, -R6...-FM... Min. 10 x 8, -R6...-FW... Min. 6 x 4 -R9...-FM... Min. 32 x 24 SBSX: dependent on lens
Working distance [mm]	SBSA: -R4...-FM... Min. 12 -R6...-FE... Min. 100, -R6...-FM... Min. 25, -R6...-FW... Min. 10 -R9...-FM... Min. 100 SBSX: dependent on lens
Function of detectors/characteristics	X/Y position tracking and orientation Pattern matching, contour: teach-in and detection of patterns and contours Caliper: distance between edges BLOB Grey threshold Evaluation of brightness Evaluation of contrast Output of color values (-C) Area inspection of colors with selectable tolerance (-C) Finding most similar colors (-C) Result processing, math: checking and calculating with results from detectors
Dimensions W x L x H [mm]	45 x 71 x 45 (without connectors)
Product weight [g]	Approx. 200
Information on materials: housing	Aluminum, plastic, die-cast
Information on materials: cover	Plastic
Note on materials	RoHS compliant

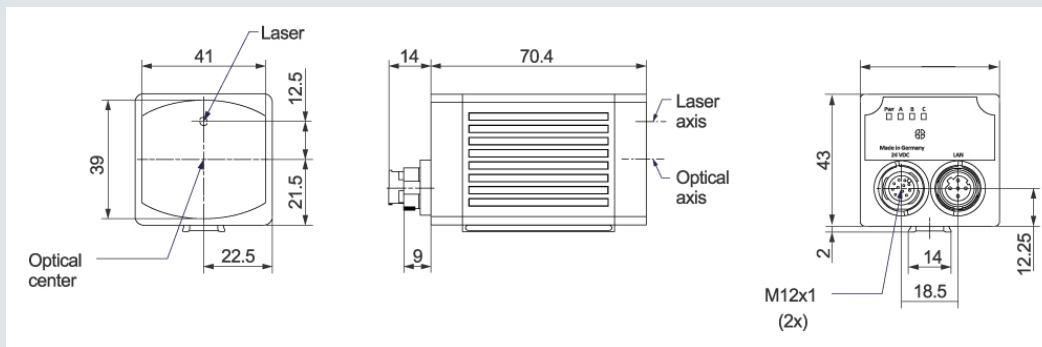
Technical data – Object sensors SBSA-Q, SBSX-Q

Ethernet interface	
Ethernet, connection technology	M12 socket, 4-pin
Ethernet, transmission speed	100 Mbps
Ethernet, supported protocols	TCP/IP, EtherNet/IP, FTP, SMB, PROFINET
Digital inputs, outputs and power supply	
Electrical connection (I/O and power supply), connection technology	Plug connector, M12, 12-pin
Number of digital inputs	2
Number of digital outputs	2
Number of selectable digital inputs/outputs	Standard variant ... 4 -AF... 6
Digital inputs	PNP/NPN, high > $U_B - 1$ V, low < 3 V
Digital outputs	PNP/NPN (switchable) 50 mA max. output current per output 100 mA max. (pin 12)
Operating voltage, U_B [VDC]	18 ... 30 (24 nominal), max. ripple < 5 V_{SS}
Power consumption (without I/O)	≤ 300 mA
Operating and environmental conditions	
Ambient operating temperature [°C]	0 ... +50 ¹⁾
Ambient storage temperature [°C]	-20 ... +60 ¹⁾
Degree of protection	IP67
Vibration resistance	To EN 60068-2-6
Shock resistance	To EN 60068-2-27
CE marking	To EMC Directive 2014/30/EU
Certification	UL RoHS to Directive 2011/65/EU

1) 80% air humidity, non-condensing

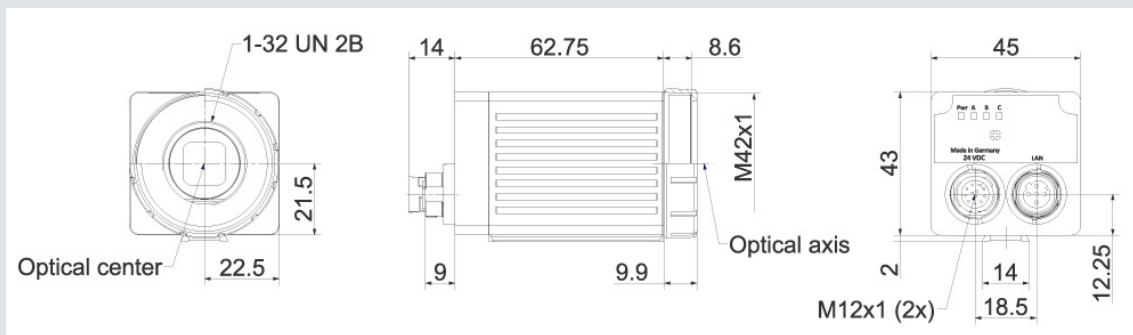
Dimensions – Object sensor SBSA-Q

Dimensions



Dimensions – Object sensor SBSX-Q

Dimensions



Ordering data – Object sensors SBSA-Q, SBSX-Q

Lens and lighting	Variant	Resolution [pixels]	Image sensor	Field of view	Integrated lighting	Depth of field	Partnumber	Type code
Integrated	Standard	800 x 600	Monochrome	Medium	Red	Standard	23424996	SBSA-Q-R4-B-FM-R
Integrated	Advanced	800 x 600	Monochrome	Medium	Red	Standard	23424995	SBSA-Q-AF-R4-B-FM-R
Integrated	Advanced	800 x 600	Monochrome	Medium	White	Standard	23424994	SBSA-Q-AF-R4-B-FM-W
Integrated	Advanced	800 x 600	Color	Medium	White	Standard	23424993	SBSA-Q-AF-R4-C-FM-W
Integrated	Advanced	1440 x 1080	Monochrome	Narrow	Red	Standard	23425008	SBSA-Q-AF-R6-B-FE-R
Integrated	Advanced	1440 x 1080	Monochrome	Narrow	White	Standard	23425005	SBSA-Q-AF-R6-B-FE-W
Integrated	Advanced	1440 x 1080	Monochrome	Medium	Red	Standard	23425007	SBSA-Q-AF-R6-B-FM-R
Integrated	Advanced	1440 x 1080	Monochrome	Medium	White	Standard	23425004	SBSA-Q-AF-R6-B-FM-W
Integrated	Advanced	1440 x 1080	Monochrome	Wide	Red	Standard	23425006	SBSA-Q-AF-R6-B-FW-R
Integrated	Advanced	1440 x 1080	Monochrome	Wide	White	Standard	23425003	SBSA-Q-AF-R6-B-FW-W
Integrated	Advanced	1440 x 1080	Color	Narrow	White	Standard	23425013	SBSA-Q-AF-R6-C-FE-W
Integrated	Advanced	1440 x 1080	Color	Medium	White	Standard	23425012	SBSA-Q-AF-R6-C-FM-W
Integrated	Advanced	1440 x 1080	Color	Wide	White	Standard	23425011	SBSA-Q-AF-R6-C-FW-W
Integrated	Advanced	2560 x 1936	Monochrome	Medium	White	Increased	23425045	SBSA-Q-AF-R9-B-FM-W-D
C-mount	Advanced	800 x 600	Monochrome	-	-	-	23424989	SBSX-Q-AF-R4-B
C-mount	Advanced	1440 x 1080	Monochrome	-	-	-	23425009	SBSX-Q-AF-R6-B
C-mount	Advanced	1440 x 1080	Color	-	-	-	23425014	SBSX-Q-AF-R6-C
C-mount	Advanced	2560 x 1936	Monochrome	-	-	-	23425038	SBSX-Q-AF-R9-B
C-mount	Advanced	2560 x 1936	Color	-	-	-	23425039	SBSX-Q-AF-R9-C

Technical data – Robotic sensors SBSA-R, SBSX-R

- Compact and lightweight housing
- 2D or 3D localization
- 3D gripper point transformation



General technical data		
Type		
Sensor technology		CMOS -B... monochrome -C... color
Sensor resolution		-R6... 1440 x 1080 px, 1.5 Mpixel, SXGA -R9... 2560 x 1936 px, 5 Mpixel, QSXGA (2560 x 2048)
Focus setting		Motorized auto-focus
Lens mounting		SBSA... Integrated lens SBSX... C-mount
Lighting type		SBSA... Integrated, 8 LEDs SBSX... External lighting required
Frame rate, mono color	[fps]	-R6... 40 20 -R9... 22 8
Max. number of inspection jobs		255
Max. number of test detectors per job		255
Focal length	[mm]	-R6...-FM... 12 -R9...-FM... 20
Field of view	[mm]	-R6...-FM... Min. 10 x 8 -R9...-FM... Min. 32 x 24
Working distance	[mm]	-R6...-FM... Min. 25 -R9...-FM... Min. 100
Function of detectors/characteristics		X/Y position tracking and orientation Pattern matching, contour, 3D contour: teach-in and detection of patterns and contours 3D pose determination Caliper: distance between edges BLOB Grey threshold Evaluation of brightness Evaluation of contrast 1D bar codes: EAN, UPC, RSS, 2/5 Interleaved, 2/5 Industrial, code 32, code 39, code 93, code 128, GS1, pharm code, codabar (-PF) 2D codes: ECC200, QR code, GS1, PDF 417 (-PF) OCR: reading of fonts (-PF) Results processing, text, math: checking and calculating with results from detectors
Dimensions W x L x H	[mm]	45 x 71 x 45 (without connectors)
Product weight	[g]	Approx. 200
Information on materials: Housing		Aluminum, plastic, die-cast
Information on materials: Cover		Plastic
Note on materials		RoHS compliant

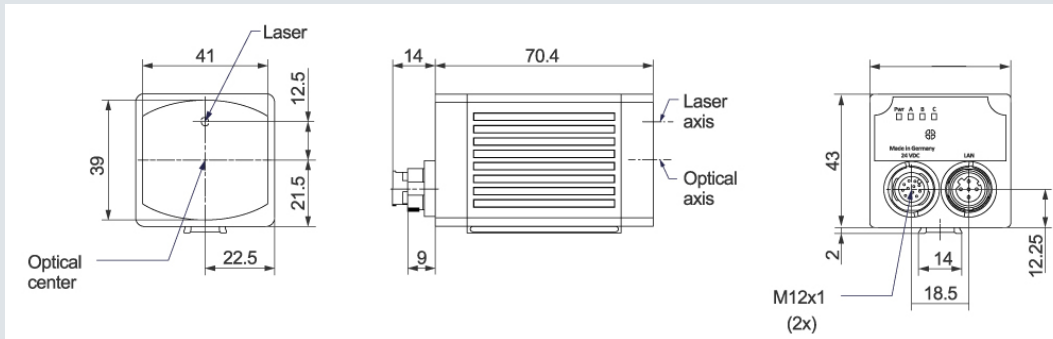
Technical data – Robotic sensors SBSA-R, SBSX-R

Ethernet interface	
Ethernet, connection technology	M12 socket, 4-pin
Ethernet, transmission speed	100 Mbps
Ethernet, supported protocols	TCP/IP, EtherNet/IP, FTP, SMB, PROFINET
Digital inputs, outputs and power supply	
Electrical connection (I/O and power supply), connection technology	Plug connector, M12, 12-pin
Number of digital inputs	2
Number of digital outputs	2
Number of selectable digital inputs/outputs	-AF... 6 -PF... 6
Digital inputs	PNP/NPN, high > $U_B - 1$ V, low < 3 V
Digital outputs	PNP/NPN (switchable) 50 mA max. output current per output 100 mA max. (pin 12)
Operating voltage, U_B [VDC]	18 ... 30 (24 nominal), max. ripple < 5 V _{SS}
Power consumption (without I/O)	≤ 300 mA
Operating and environmental conditions	
Ambient operating temperature [°C]	0 ... +50 ¹⁾
Ambient storage temperature [°C]	-20 ... +60 ¹⁾
Degree of protection	IP67
Vibration resistance	To EN 60068-2-6
Shock resistance	To EN 60068-2-27
CE marking	To EMC Directive 2014/30/EU
Certification	UL RoHS to Directive 2011/65/EU

1) 80% air humidity, non-condensing

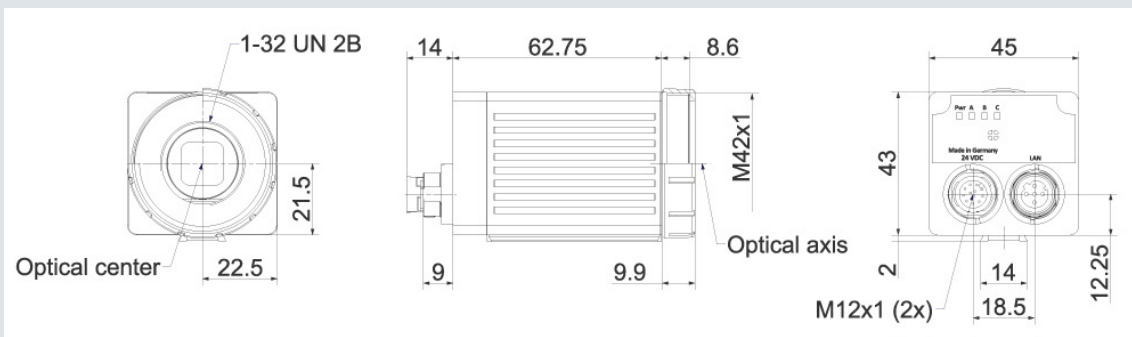
Dimensions – Robotic sensor SBSA-R

Dimensions



Dimensions – Robotic sensor SBSX-R

Dimensions



Ordering data – Robotic sensors SBSA-R, SBSX-R

Lens and lighting	Variant	Resolution [pixels]	Image sensor	Field of view	Integrated lighting	Depth of field	Partnumber	Type code
Integrated	Advanced	1440 x 1080	Monochrome	Medium	Red	Standard	23425026	SBSA-R-AF-R6-B-FM-R
Integrated	Advanced	1440 x 1080	Monochrome	Medium	White	Standard	23425025	SBSA-R-AF-R6-B-FM-W
Integrated	Professional	1440 x 1080	Monochrome	Medium	Red	Standard	23425031	SBSA-R-PF-R6-B-FM-R
Integrated	Professional	1440 x 1080	Monochrome	Medium	White	Standard	23425029	SBSA-R-PF-R6-B-FM-W
Integrated	Professional	2560 x 1936	Monochrome	Medium	Red	Standard	23425041	SBSA-R-PF-R9-B-FM-R
Integrated	Professional	2560 x 1936	Monochrome	Medium	White	Standard	23425040	SBSA-R-PF-R9-B-FM-W
C-mount	Professional	2560 x 1936	Monochrome	-	-	-	23425042	SBSX-R-PF-R9-B
C-mount	Professional	2560 x 1936	Color	-	-	-	23425043	SBSX-R-PF-R9-C

Technical data – Universal sensors SBSA-U, SBSX-U

- All detectors of both object and code readers in one camera
- All detectors of robotic sensor as well in professional variant (-PF)



General technical data	
Type	
Sensor technology	CMOS -B... monochrome -C... color
Sensor resolution	-R4... 800 x 600 px, 0.5 Mpixel, SVGA -R6... 1440 x 1080 px, 1.5 Mpixel, SXGA -R9... 2560 x 1936 px, 5 Mpixel, QSXGA (2560 x 2048)
Focus setting	Motorized auto-focus
Lens mounting	SBSA... Integrated lens SBSX... C-mount
Lighting type	SBSA... Integrated, 8 LEDs SBSX... External lighting required
Frame rate, mono color [fps]	-R4... 75 50 -R6... 40 20 -R9... 22 8
Max. number of inspection jobs	255
Max. number of test detectors per job	255
Focal length [mm]	-R4...-FM... 9.6 -R6...-FE... 20, -R6...-FM... 12, -R6...-FW... 6.5 -R9...-FM... 20
Field of view [mm]	-R4...-FM... Min. 7 x 3 -R6...-FE... Min. 18 x 14, -R6...-FM... Min. 10 x 8, -R6...-FW... Min. 6 x 4 -R9...-FM... Min. 32 x 24
Working distance [mm]	-R4...-FM... Min. 12 -R6...-FE... Min. 100, -R6...-FM... Min. 25, -R6...-FW... Min. 10 -R9...-FM... Min. 100
Function of detectors/characteristics	X/Y position tracking and orientation Pattern matching, contour, 3D contour: teach-in and detection of patterns and contours Caliper: distance between edges BLOB Grey threshold Evaluation of brightness Evaluation of contrast Output of color values (-C) Area inspection of colors with selectable tolerance (-C) Finding the most similar colors (-C) 1D bar codes: EAN, UPC, RSS, 2/5 Interleaved, 2/5 Industrial, code 32, code 39, code 93, code 128, GS1, pharm code, codabar 2D codes: ECC200, QR code, GS1, PDF 417 OCR: reading of fonts Result processing, text, math: checking and calculating with results from detectors
Dimensions W x L x H [mm]	45 x 71 x 45 (without connectors)
Product weight [g]	Approx. 200
Information on materials: Housing	Aluminum, plastic, die-cast
Information on materials: Cover	Plastic
Note on materials	RoHS compliant

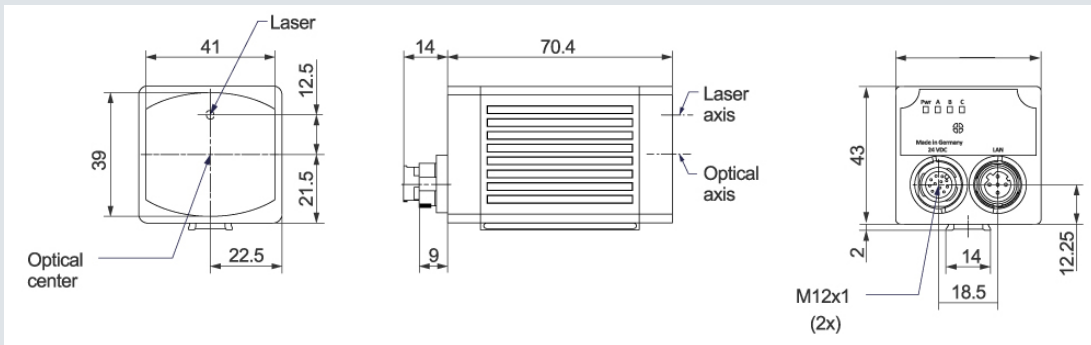
Technical data – Universal sensors SBSA-U, SBSX-U

Ethernet interface	
Ethernet, connection technology	M12 socket, 4-pin
Ethernet, transmission speed	100 Mbps
Ethernet, supported protocols	TCP/IP, EtherNet/IP, FTP, SMB, PROFINET
Digital inputs, outputs and power supply	
Electrical connection (I/O and power supply), connection technology	Plug connector, M12, 12-pin
Number of digital inputs	2
Number of digital outputs	2
Number of selectable digital inputs/outputs	6
Digital inputs	PNP/NPN, high > $U_B - 1$ V, low < 3 V
Digital outputs	PNP/NPN (switchable) 50 mA max. output current per output 100 mA max. (pin 12)
Operating voltage, U_B [VDC]	18 ... 30 (24 nominal), max. ripple < 5 V _{SS}
Power consumption (without I/O)	≤ 300 mA
Operating and environmental conditions	
Ambient operating temperature [°C]	0 ... +50 ¹⁾
Ambient storage temperature [°C]	-20 ... +60 ¹⁾
Degree of protection	IP67
Vibration resistance	To EN 60068-2-6
Shock resistance	To EN 60068-2-27
CE marking	To EMC Directive 2014/30/EU
Certification	UL RoHS to Directive 2011/65/EU

1) 80% air humidity, non-condensing

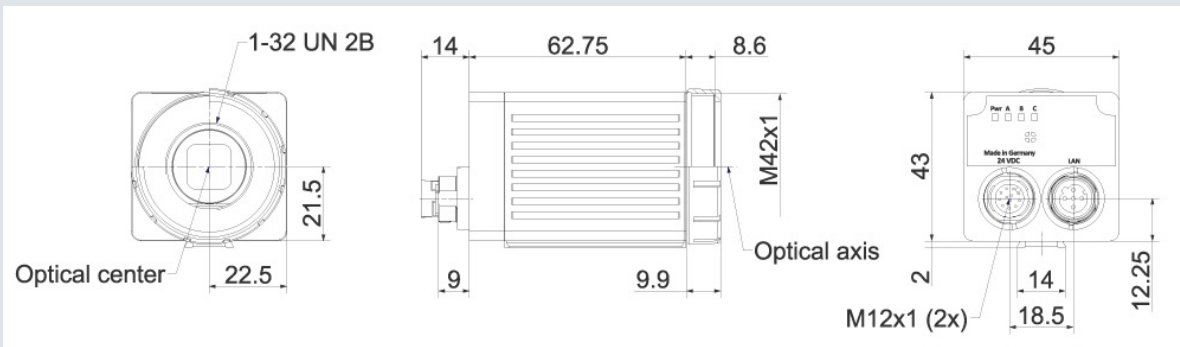
Dimensions – Universal sensor SBSA-U

Dimensions



Dimensions – Universal sensor SBSX-U

Dimensions



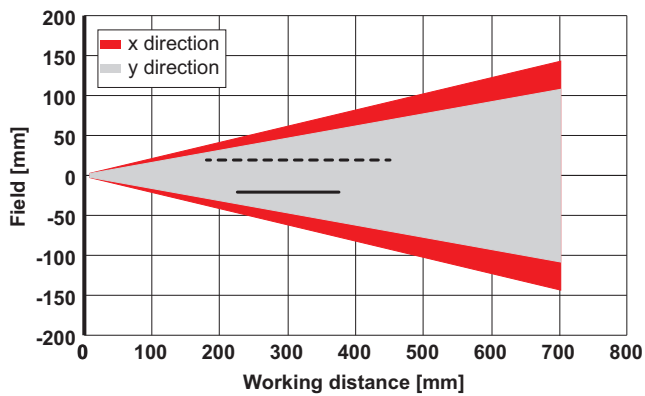
Ordering data – Universal sensors SBSA-U, SBSX-U

Lens and lighting	Variant	Resolution [pixels]	Image sensor	Field of view	Integrated lighting	Depth of field	Partnumber	Type code
Integrated	Advanced	800 x 600	Monochrome	Medium	Red	Standard	23424992	SBSA-U-AF-R4-B-FM-R
Integrated	Advanced	800 x 600	Monochrome	Medium	White	Standard	23424991	SBSA-U-AF-R4-B-FM-W
Integrated	Advanced	1440 x 1080	Monochrome	Narrow	White	Standard	23425001	SBSA-U-AF-R6-B-FE-W
Integrated	Advanced	1440 x 1080	Monochrome	Medium	White	Standard	23425000	SBSA-U-AF-R6-B-FM-W
Integrated	Advanced	1440 x 1080	Monochrome	Wide	White	Standard	23425002	SBSA-U-AF-R6-B-FW-W
Integrated	Professional	2560 x 1936	Monochrome	Medium	Infrared	Standard	23425034	SBSA-U-PF-R9-B-FM-NR
Integrated	Professional	2560 x 1936	Monochrome	Medium	Red	Standard	23425033	SBSA-U-PF-R9-B-FM-R
Integrated	Professional	2560 x 1936	Monochrome	Medium	White	Standard	23425032	SBSA-U-PF-R9-B-FM-W
Integrated	Professional	2560 x 1936	Color	Medium	White	Standard	23425036	SBSA-U-PF-R9-C-FM-W
C-mount	Advanced	800 x 600	Monochrome	-	-	-	23424990	SBSX-U-AF-R4-B
C-mount	Professional	2560 x 1936	Monochrome	-	-	-	23425035	SBSX-U-PF-R9-B
C-mount	Professional	2560 x 1936	Color	-	-	-	23425037	SBSX-U-PF-R9-C

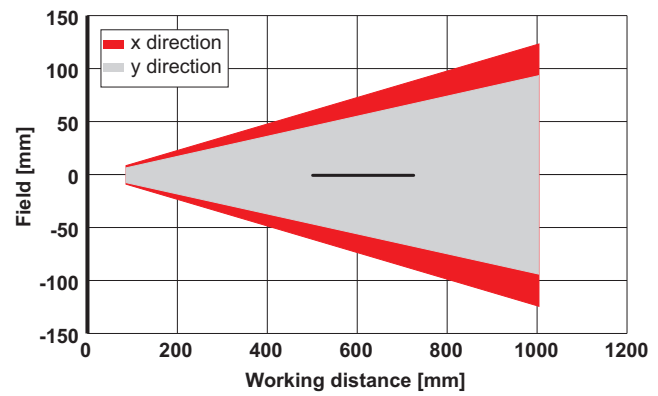
Technical data – Vision sensors SBSA

Fields of view / Depths of field

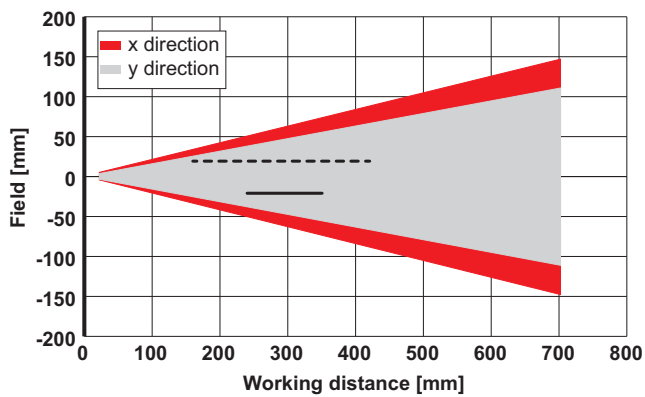
-R4 resolution, -FM medium field of view



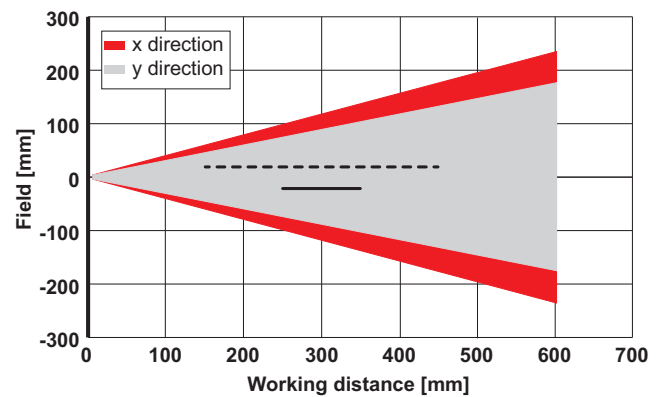
-R6 resolution, -FE narrow field of view



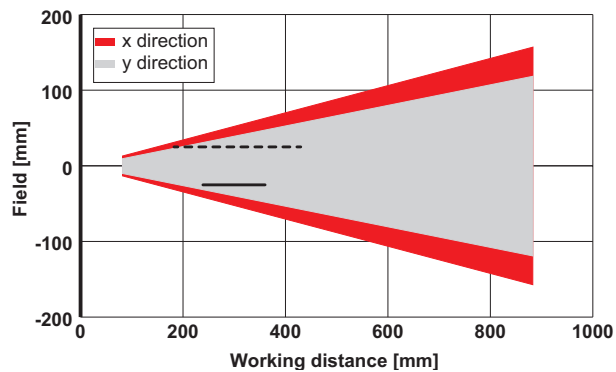
-R6 resolution, -FM medium field of view



-R6 resolution, -FW wide field of view



-R9 resolution, -FM medium field of view



--- Increased depth of field
 — Normal depth of field

Accessories – Surface light SBAL-C6-A

- LED area lighting for incidental illumination in IP67 housings
- Choose from red, white, and infrared
- Can be cascaded to illuminate from several directions. No switching amplifier required
- 12-pin

**Compatibility:**

SBSA	SBSX
------	------

General technical data		SBAL-C6-A-W	SBAL-C6-A-R	SBAL-C6-A-NR
Area light				
Lighting type		Surface light		
Type of light		LED, clear		
		White	Red	Infrared
Wavelength	[nm]	410 ... 750	620	860
Type of mounting		Clamped in dovetail slot		
		Via accessories		
Working distance	[mm]	100 ... 300		
Electrical connection		2 x M12, plug connector 12-pin		
Maximum number of devices connectable in series (diagram)		4		
Reverse polarity protection		For all electrical connections		
Product weight	[g]	60		
Information on materials: Housing		ABS reinforced		
Note on materials		RoHS-compliant		
RoHS status		RoHS-compliant in accordance with EU directive		

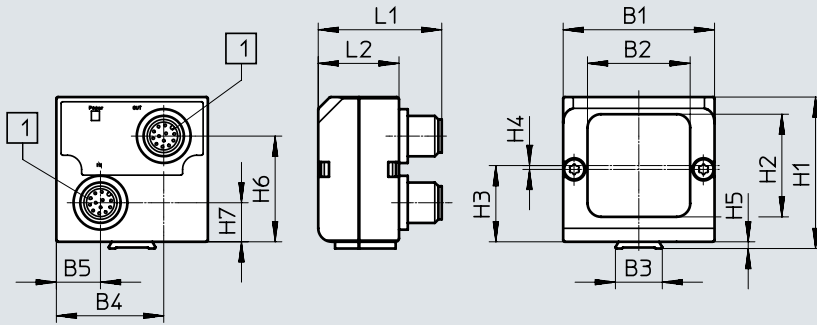
Electrical data		SBAL-C6-A-W	SBAL-C6-A-R	SBAL-C6-A-NR
Nominal operating voltage, U_B	[V DC]	24		
Permissible voltage fluctuations	[%]	±10		
Trigger level		Level: 10 V ... U_B		
Residual ripple	[%]	10		
Current consumption during continuous operation	[mA]	80	80	90
Current consumption during flash operation	[mA]	200	250	100

Operating and environmental conditions		SBAL-C6-A-W	SBAL-C6-A-R	SBAL-C6-A-NR
Ambient temperature during continuous operation	[°C]	0 ... +50		
Ambient temperature during flash operation	[°C]	0 ... +50		
Storage temperature	[°C]	-20 ... +60		
Degree of protection		IP67		
CE marking		To EMC Directive 2014/30/EU		
Certification		RCM compliance mark To RoHS Directive 2011/65/EU		

Accessories

Dimensions

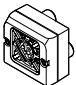
Download CAD data → www.festo.com



[1] M12 plug, 12-pin

Type	B1	B2	B3	B4	B5	H1	H2	H3	H4	H5	H6	H7	L1	L2
SBAL-C6-A-W	45	30.5	14	31.9	13.1	45	30.5	22.7	1.2	2	31.4	11.6	36.7	24
SBAL-C6-A-R														
SBAL-C6-A-NR														

Ordering data

Type of light: LED, clear		Part no.	Type
	White	23424359	SBAL-C6-A-W
	Red	23424643	SBAL-C6-A-R
	Infrared	23424953	SBAL-C6-A-NR

Accessories – Ring lights SBAL-C6-R

- LED ring lighting for the incidental illumination of objects in IP67-tight housings
- Choose from red, white, and infrared
- Individual control of four segments for multi-shot
- No switching amplifier is required, and cascading is possible
- 100 mm diameter
- 12-pin



Compatibility:

SBSA **SBSX**

General technical data		SBAL-C6-R-W-D	SBAL-C6-R-R-D	SBAL-C6-R-NR-D
Ring light				
Lighting type		Ring light		
Type of light		LED, diffuse		
		White	Red	Infrared
Wavelength	[nm]	410 ... 750	630	860
Type of mounting		Via mounting bracket		
Working distance	[mm]	100 ... 300		
Electrical connection		2 x M12, plug 12-pin		
Maximum number of devices connectable in series (diagram)		2		
Reverse polarity protection		For all electrical connections		
Product weight	[g]	150		
Information on materials: Housing		Anodized aluminum		
Note on materials		RoHS-compliant		
RoHS status		RoHS-compliant in accordance with EU directive		

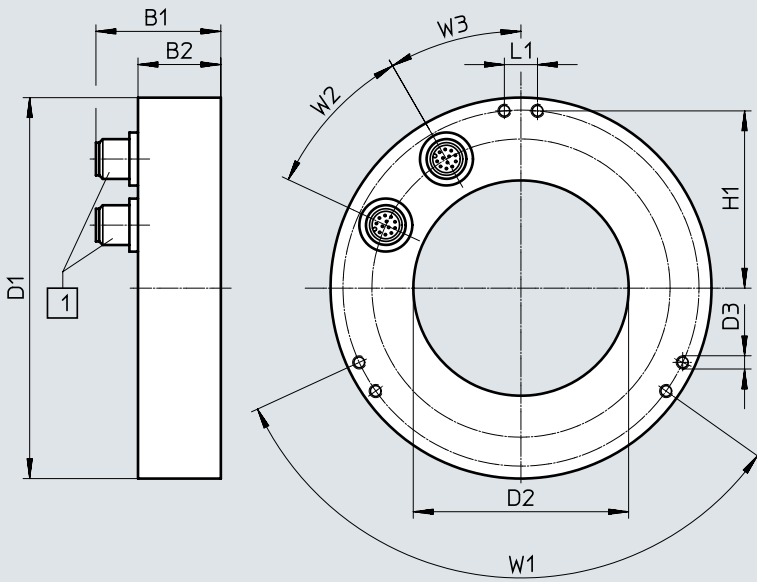
Electrical data		SBAL-C6-R-W-D	SBAL-C6-R-R-D	SBAL-C6-R-NR-D
Nominal operating voltage, U_B	[V DC]	24		
Permissible voltage fluctuations	[%]	±5		
Trigger level		Level: 18 V ... U_B		
Residual ripple	[%]	5		
Current consumption during continuous operation	[mA]	390	290	390
Current consumption during flash operation	[mA]	390	290	390

Operating and environmental conditions		SBAL-C6-R-W-D	SBAL-C6-R-R-D	SBAL-C6-R-NR-D
CE marking (see declaration of conformity)		To EU EMC Directive ¹⁾		
Ambient temperature during continuous operation	[°C]	0 ... +35		
Ambient temperature during flash operation	[°C]	0 ... +50		
Storage temperature	[°C]	-20 ... +60		
Degree of protection		IP67		
CE marking		To EMC Directive 2014/30/EU		
Certification		RCM compliance mark To RoHS Directive 2011/65/EU		

Accessories

Dimensions

Download CAD data → www.festo.com



[1] M12 plug, 12-pin

Type	B1	B2	D1	D2	D3	H1	L1	W1	W2	W3
SBAL-C6-R-...	37.7	25	115	65	M4	53.5	10	120°	35°	30°

Ordering data

	Type of light: LED, diffuse	Part no.	Type
	White	23424954	SBAL-C6-R-W-D
	Red	23424955	SBAL-C6-R-R-D
	Infrared	23424956	SBAL-C6-R-NR-D

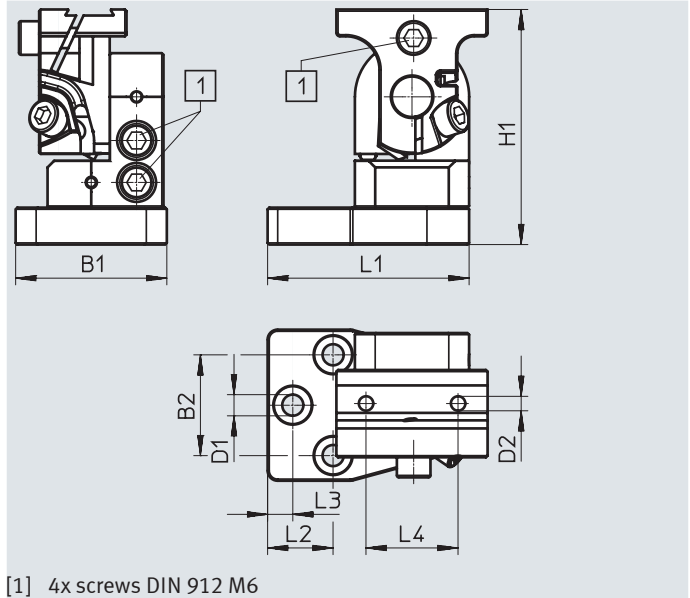
Accessories

Swivel mounting

Type of mounting:
With dovetail slot, with through-hole

Information on materials:
Anodized wrought aluminum alloy

Note on materials:
RoHS-compliant



[1] 4x screws DIN 912 M6

Compatibility:

SBSA **SBSX**

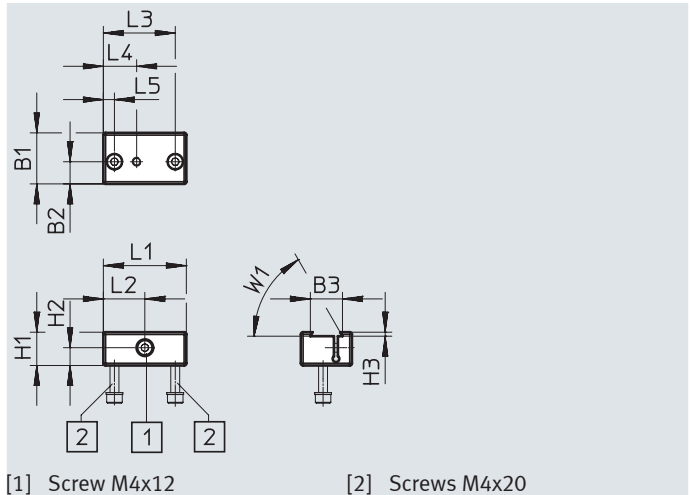
Dimensions [mm] and ordering data												
B1	B2	D1	D2	H1	L1	L2	L3	L4	Weight [g]	Part no.	Type	
45	30	6.3	4.3	70	65.5	19.5	7.5	27.4	209	23424984	SBAM-C6-A2-AF	

Mounting

Type of mounting:
With dovetail slot, with thread

Information on materials:
Anodized aluminum

Note on materials:
RoHS-compliant



[1] Screw M4x12

[2] Screws M4x20

Dimensions [mm] and ordering data															
B1	B2	B3	H1	H2	H3	L1	L2	L3	L4	L5	W1	Weight [g]	CRC ¹⁾	Part no.	Type
23	10	14.5	15	8	1.8	37.4	19.4	32.4	15	5	60°	28	2	23424983	SBAM-C6-CP
23	10	14.5	15	8	1.8	20	10	15	-	5	60°	15	2	23424976	SBAM-C6-CP-S

1) Corrosion resistance class CRC 2 to Festo standard FN 940070
Moderate corrosion stress. Indoor applications in which condensation can occur. External visible parts with primarily decorative surface requirements which are in direct contact with a normal industrial environment.

Accessories

Mounting bracket

Type of mounting:
With through-hole

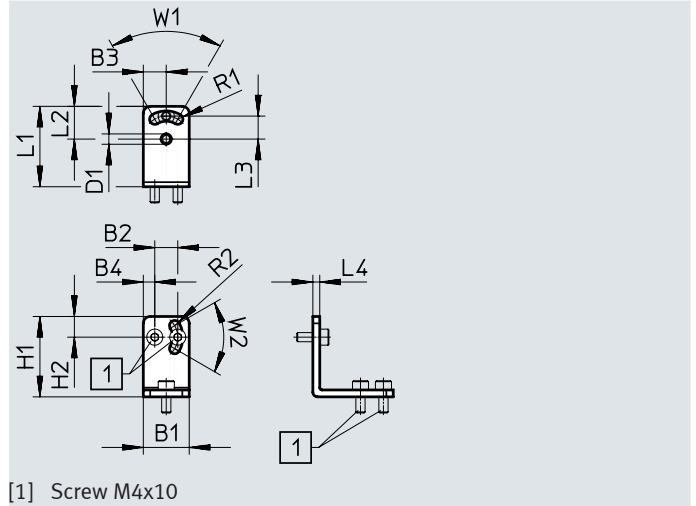
Information on materials:
High-alloy steel

Note on materials:
RoHS-compliant



Compatibility:

SBSA **SBSX**



[1] Screw M4x10

Dimensions [mm] and ordering data																		
B1	B2	B3	B4	D1	H1	H2	L1	L2	L3	L4	R1	R2	W1	W2	Weight [g]	CRC(1)	Part no.	Type
20	10	10	5	4.5	35	9	35	14.25	10	3	2.25	2.25	60°	60°	27	2	23424980	SBAM-C6-A
20	10	10	5	4.5	30	13	30	14.25	10	3	2.25	2.25	60°	60°	23	2	23424977	SBAM-C6-A-S

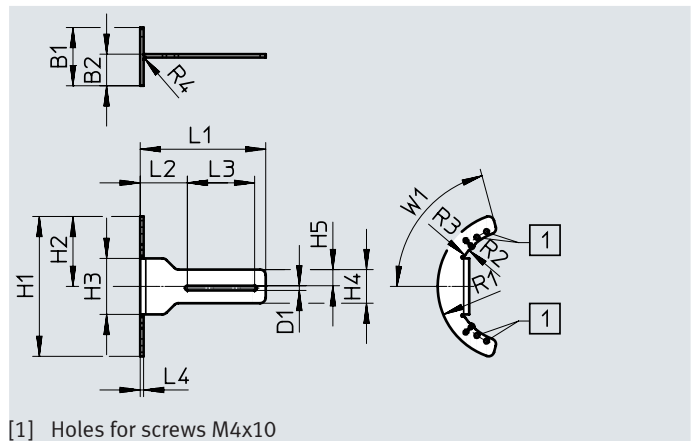
1) Corrosion resistance class CRC 2 to Festo standard FN 940070
Moderate corrosion stress. Indoor applications in which condensation can occur. External visible parts with primarily decorative surface requirements which are in direct contact with a normal industrial environment.

Mounting bracket

Type of mounting:
With through-hole

Information on materials:
High-alloy steel

Note on materials:
RoHS-compliant



[1] Holes for screws M4x10

Dimensions [mm] and ordering data										
B1	B2	D1	H1	H2	H3	H4	H5	L1	L2	L3
52	28.2	4.2	124.9	62.4	50	30	14.4	112	42.1	60
L4	R1	R2	R3	R4	W1	Weight [g]	CRC ¹⁾	Part no.	Type	
3	66	50	2	2	75°	147	2	23424982	SBAM-C7-A	

1) Corrosion resistance class CRC 2 to Festo standard FN 940070
Moderate corrosion stress. Indoor applications in which condensation can occur. External visible parts with primarily decorative surface requirements which are in direct contact with a normal industrial environment.

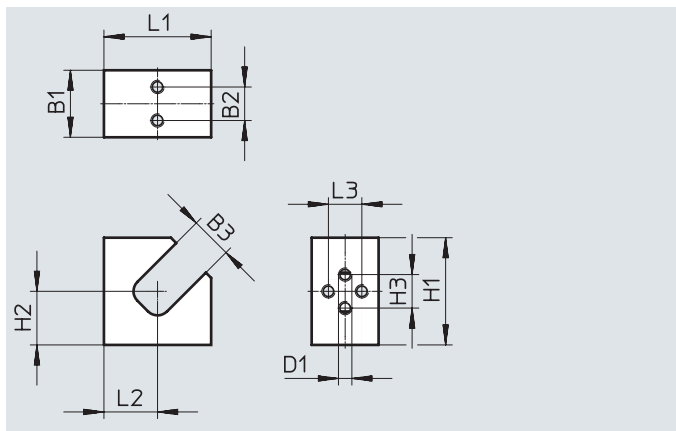
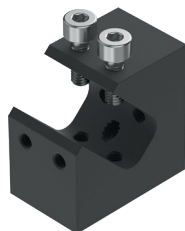
Accessories

Mounting

Type of mounting:
With thread, clamped

Information on materials:
Anodized wrought aluminum alloy

Note on materials:
RoHS-compliant



Compatibility:

SBSA **SBSX**

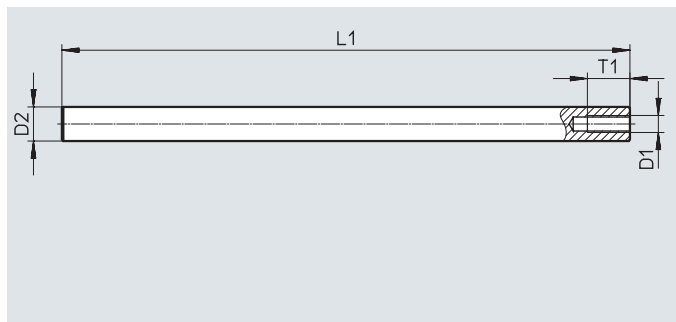
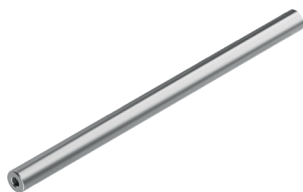
Dimensions [mm] and ordering data												
B1	B2	B3	D1	H1	H2	H3	L1	L2	L3	Weight [g]	Part no.	Type
20	10	12.5	M4	32	16	10	32	16	10	28	23424978	SBAM-C6-CP-AF

Mounting

Type of mounting:
With thread, clamped

Information on materials:
High-alloy steel

Note on materials:
RoHS-compliant



Compatibility:

SBSA **SBSX**

Dimensions [mm] and ordering data							
D1	D2	L1	T1	Corrosion resistance class [CRC ¹]	Weight [g]	Part no.	Type
M6	12	200	15	2	178	8058741	SBAM-C6-MR-200
		300			265	8058742	SBAM-C6-MR-300

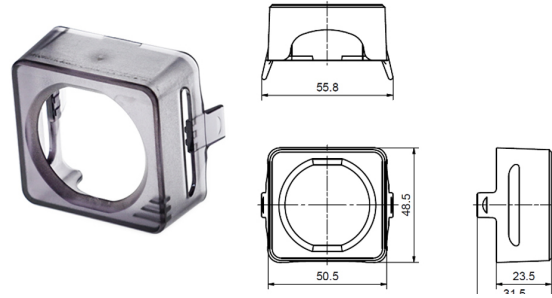
1) Corrosion resistance class CRC 2 to Festo standard FN 940070
Moderate corrosion stress. Indoor applications in which condensation can occur. External visible parts with primarily decorative surface requirements which are in direct contact with a normal industrial environment.

Accessories – Protective cover SBAP-A

- Removable protective cover for SBSA sensors with integrated lens/lighting

Compatibility:

SBSA **SBSX**



Ordering data

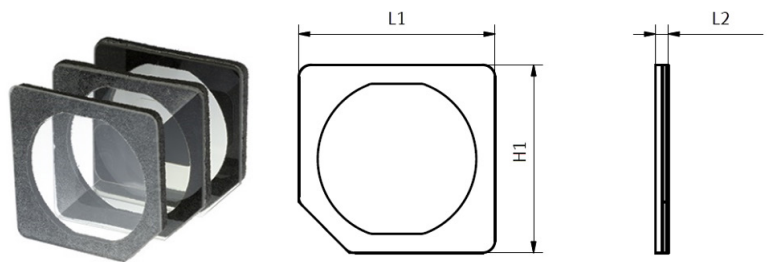
Description	Part number	Type code
Protective cover	23425046	SBAP-A
ESD-safe protective cover with anti-static coating	23437855	SBAP-A-D

Accessories – Polarizing filters SBAF-P-P

- Polarizing filter panel for SBAP-A and SBAP-A-D protective covers
- Material: coated glass

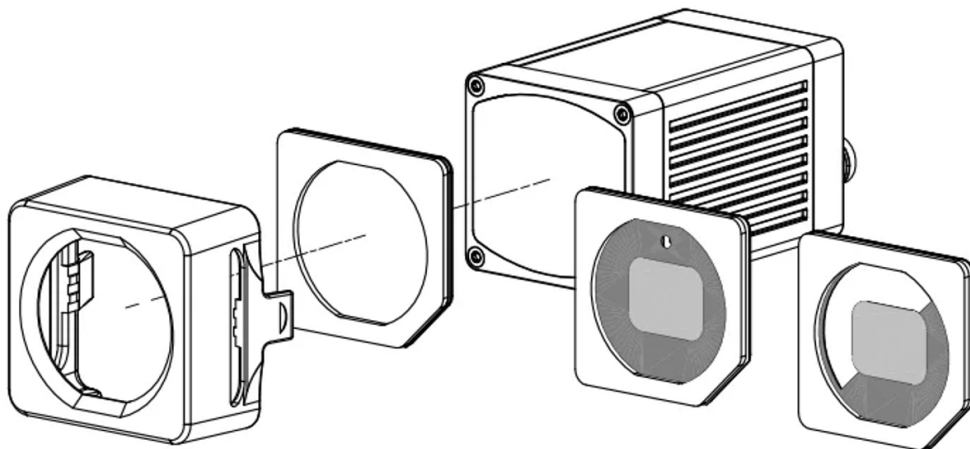
Compatibility:

SBSA **SBSX**



Dimensions [mm] and Ordering data

L1	L2	H1	Description	Coverage	Part number	Type code
44.6	3.1 ... 4.6	42.6	Polarizing filter	100%	23425058	SBAF-P-P-P100
44.6	3.1 ... 4.6	42.6	Polarizing filters, set of 3 pieces	100%	23425060	SBAF-P-P-P100-SET
44.6	3.1 ... 4.6	42.6	Polarizing filter	50%, switchable	23425059	SBAF-P-P-P50
44.6	2.9 ... 4.4	42.6	Replacement panels, set of 5 pieces	-	23425057	SBAF-F-SET



Accessories – Lenses SASF-C-HD

- High definition
- Multiple focal lengths
- For use with SBSX C-mount sensors

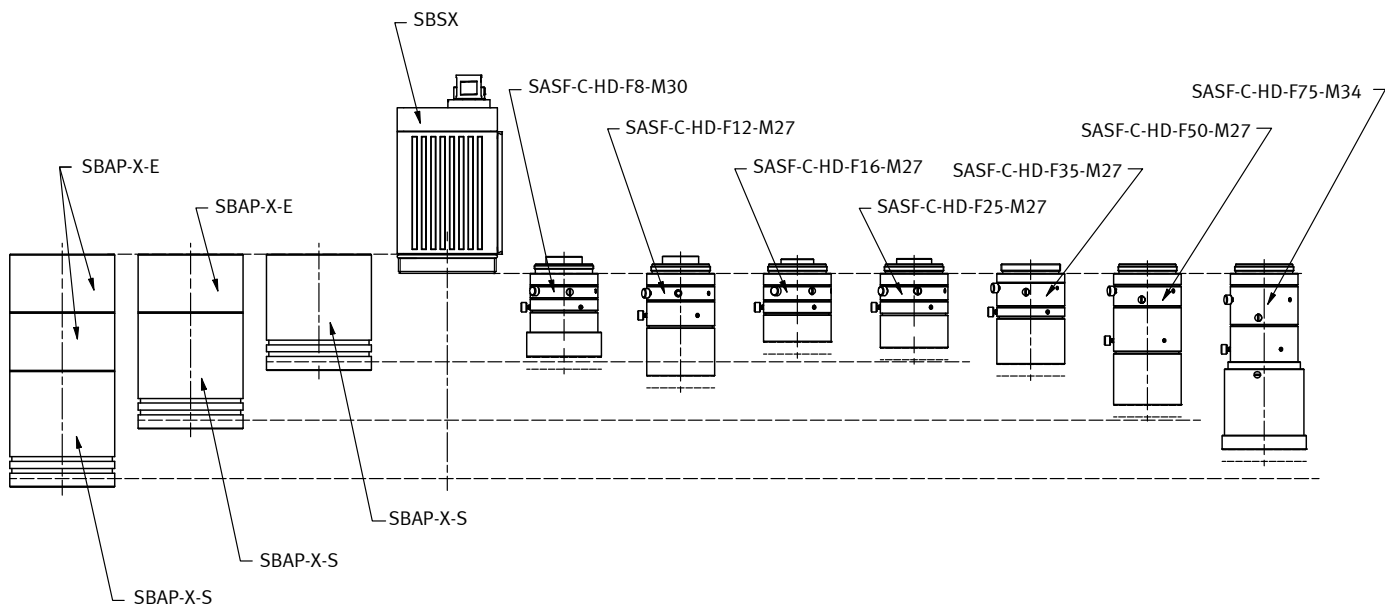
Compatibility:

SBSA SBSX



Ordering data

Focal length [mm]	Aperture /focus	Filter Thread	Diameter [mm]	Max. length [mm]	Weight [g]	Part number	Type code
8	Manual	30.5 x 0.5	32	36	63	23424959	SASF-C-HD-F8-M30
12	Manual	27 x 0.5	29	44	65	23424960	SASF-C-HD-F12-M27
16	Manual	27 x 0.5	29	29.5	40	23424961	SASF-C-HD-F16-M27
25	Manual	27 x 0.5	29	32	65	23424962	SASF-C-HD-F25-M27
35	Manual	27 x 0.5	29	39	51	23424963	SASF-C-HD-F35-M27
50	Manual	27 x 0.5	29	56.5	69	23424964	SASF-C-HD-F50-M27
75	Manual	34 x 0.5	36	75.5	96	23424965	SASF-C-HD-F75-M34



Accessories – Lenses SASF-C-RO

- Ruggedized design for robot applications
- Multiple focal lengths
- For use with SBSX C-mount sensors

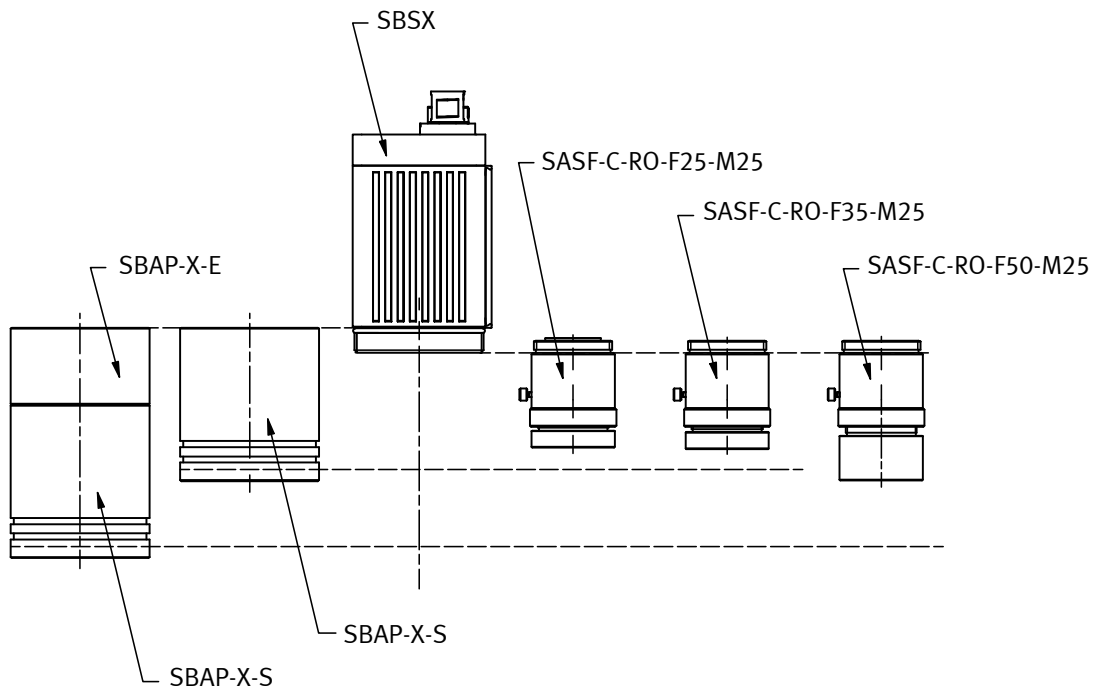
Compatibility:

SBSA SBSX



Ordering data

Focal length [mm]	Focus	Aperture	Filter Thread	Diameter [mm]	Max. length [mm]	Weight [g]	Part number	Type code
25	Manual	F4.0	25.5 x 0.5	28	35.6	45	23424971	SASF-C-RO-F25-M25
35	Manual	F4.0	25.5 x 0.5	28	35.17	45	23424972	SASF-C-RO-F35-M25
50	Manual	F4.0	25.5 x 0.5	28	45.3	62	23424973	SASF-C-RO-F50-M25



Accessories – Protective cover SBAP-X

- Protective tube for SBSX sensors with C-mount

Compatibility:

SBSA SBSX



Ordering data

Description	Bandpass filter	Part number	Type code
Protective tube extension, 25.0 mm, for SBAP-X protective covers	-	23431437	SBAP-X-E
Protective cover, 37.5 mm	None	23431436	SBAP-X-S
Protective cover, 37.5 mm	Red, 630 nm	23431442	SBAP-X-S-NR
Protective cover, 37.5 mm	Infrared, 860 nm	23431439	SBAP-X-S-R

Accessories – Polarizing filter SBAF-C-P

- For C-mount lenses
- Polarizer filter, linear, anti-reflex
- Rotatable window with fixture

Compatibility:

SBSA SBSX



Ordering data

Filter thread	Part number	Type code
M27 x 0.5	23424968	SBAF-C-P-M27
M30.5 x 0.5	23424958	SBAF-C-P-M30
M34 x 0.5	23424969	SBAF-C-P-M34

Accessories – Adapter SBOL

- Intermediate rings

Compatibility:

SBSA SBSX



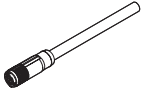
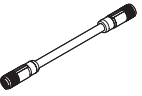
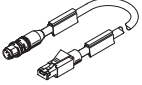
Dimensions [mm] and Ordering data

Height [mm]	Part number	Type code
0.5	23424985	SBOL-C-05
1	23424986	SBOL-C-1
5	23424979	SBOL-C-5
10	23424987	SBOL-C-10
20	23424988	SBOL-C-20

Accessories – Cables

Compatibility:

SBSA **SBSX**

	Description	Length	Part number	Type code
Connecting cable				Data sheets → Internet: nebs
	Cable for power supply and digital I/Os (M12, 12-pin on open end)	5 m	3058614	NEBS-M12G12-KS-5-LE12
		10 m	2912452	NEBS-M12G12-KS-10-LE12
	Cable for connecting the external lighting SBAL (M12, 12-pin on M12, 12-pin)	0.5 m	3056124	NEBS-M12G12-KS-0.5-SM12G12
		2 m	3058527	NEBS-M12G12-KS-2-SM12G12
Connecting cable				Data sheets → Internet: nebc
	Ethernet cable (M12, 4-pin on RJ45)	1 m	8040451	NEBC-D12G4-ES-1-S-R3G4-ET
		3 m	8040452	NEBC-D12G4-ES-3-S-R3G4-ET
		5 m	8040453	NEBC-D12G4-ES-5-S-R3G4-ET
		10 m	8040454	NEBC-D12G4-ES-10-S-R3G4-ET

Festo - Your Partner in Automation



1 Festo Inc.
 5300 Explorer Drive
 Mississauga, ON L4W 5G4
 Canada

Festo Customer Interaction Center
 Tel: 1 877 463 3786
 Fax: 1 877 393 3786
 Email: customer.service.ca@festo.com

2 Festo Pneumatic
 Av. Ceylán 3,
 Col. Tequesquináhuac
 54020 Tlalnepantla,
 Estado de México

Multinational Contact Center
 01 800 337 8669
 ventas.mexico@festo.com

3 Festo Corporation
 1377 Motor Parkway
 Suite 310
 Islandia, NY 11749

Festo Customer Interaction Center
 1 800 993 3786
 1 800 963 3786
 customer.service.us@festo.com

4 Regional Service Center
 7777 Columbia Road
 Mason, OH 45040

23453856 02.2022 Subject to change