

LT-FG-Clean conduit gland stainless steel



RoHS

LT-FG-Clean

Highest requirements to cleanliness and cleaning.

Application

- Food industry - milk and meat products
- Packaging of food machines
- Beverage industry
- Pharmaceutical industry
- Chemical industry

Properties

- high corrosion resistance
- the smooth surface prevents to adhere harmful micro organisms
- easy, fast and less expensive cleaning
- resistant against chemical cleaning supplies
- no threads are exposed
- high tightness
- no enter from water and dirt from outside
- high mechanical load capacity

Material

Body: Stainless steel AISI 316
 ferrule: brass, nickel plated
 Clamping ring and insert: PA6
 Outer seal and sealing ring:
TPE according to FDA 21 CFR and NSF 51 (USA-Norm)

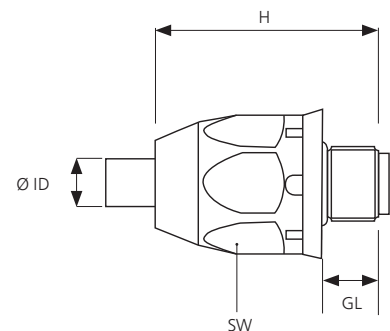
Technical data

Protection class: IP67 (40bar, 80°C)

Temperature range: -45°C bis +105°C

Note

suitable protection tubes:
 Anaconda Sealtite FG-Clean,
 also possible EF, HTDL, OR, HC, HCX, ZHLS,
 HFX



LT-FG-Clean

Part-no.	Size metr.	Suitable for tube ND	Suitable for tube outer Ø mm	Inner-Ø ID mm	Spanner size SW mm	Thread length GL mm	Height H mm	Angle size mm	Unit pcs
906928	M16x1,5	3/8"	17,8	10,4	27	11,5	48	31,2	50
906929	M20x1,5	1/2"	21,1	13,8	30	13	50	34,6	50
906843	M25x1,5	3/4"	26,4	18,5	36	15	57	41,6	25
906844	M32x1,5	1"	33,1	23,8	46	15	68	53,1	10
906845	M40x1,5	1 1/4"	41,8	31,9	54	16	75	62,4	5
904846	M50x1,5	1 1/2"	47,8	36,9	63	18	82	72,7	5

Dimensions and specifications may be changed without prior notice.